



Compressor Selection: Semi-hermetic Reciprocating Compressors

Input Values

Compressor model Mode	(4J-22.2Y) Refrigeration and Air conditioning	Suction gas temperature Operating mode	20,00 °C Auto
Refrigerant	R404A	Power supply	400V-3-50Hz
Reference temperature	Dew point temp.	Capacity Control	100%
Liq. subc. (in condenser)	0 K	Useful superheat	100%

Result

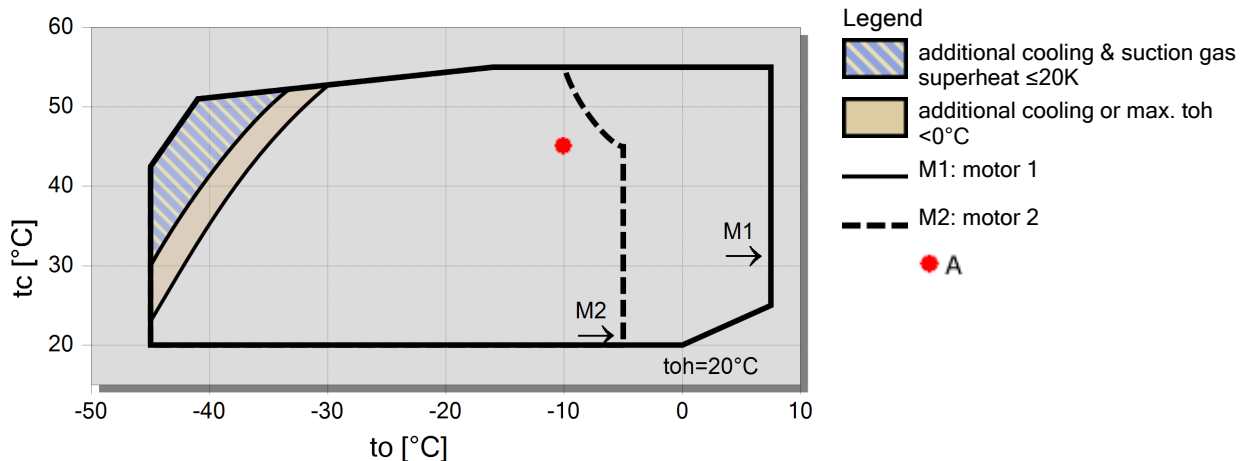
Q [W]	Cooling capacity	COP [-]	COP/EER
Q* [W]	Cooling capacity *	COP* [-]	COP/EER *
P [kW]	Power input	m [kg/h]	Mass flow
I [A]	Current	Op.	Operating mode
Qc [W]	Condenser Capacity	th [°C]	Discharge gas temp. w/o cooling

tc	to	10°C	0°C	-10°C	-20°C	-30°C	-40°C	-50°C	-60°C
30°C	Q [W]	--	60134	41180	26972	16485	8918	--	--
	Q* [W]	--	60134	41180	26972	16485	8918	--	--
	P [kW]	--	13,10	12,11	10,46	8,37	6,05	--	--
	I [A]	--	22,8	21,3	19,10	16,51	14,06	--	--
	Qc [W]	--	73233	53288	37429	24851	14970	--	--
	COP [-]	--	4,59	3,40	2,58	1,97	1,47	--	--
	COP* [-]	--	4,59	3,40	2,58	1,97	1,47	--	--
	m [kg/h]	--	1529	1024	661	399	214	--	--
	Op.	--	Standard	Standard	Standard	Standard	Standard	--	--
	th [°C]	--	62,4	75,9	91,2	109,7	134,6	--	--
40°C	Q [W]	--	51467	35094	22774	13672	7114	--	--
	Q* [W]	--	51467	35094	22774	13672	7114	--	--
	P [kW]	--	15,49	13,69	11,37	8,74	6,01	--	--
	I [A]	--	26,3	23,6	20,3	16,94	14,03	--	--
	Qc [W]	--	66956	48786	34143	22408	13129	--	--
	COP [-]	--	3,32	2,56	2,00	1,56	1,18	--	--
	COP* [-]	--	3,32	2,56	2,00	1,56	1,18	--	--
	m [kg/h]	--	1476	982	627	372	191,7	--	--
	Op.	--	Standard	Standard	Standard	Standard	Standard	--	--
	th [°C]	--	73,5	87,0	102,4	121,1	0	--	--
50°C	Q [W]	--	42871	29112	18723	11054	5563	--	--
	Q* [W]	--	42871	29112	18723	11054	5563	--	--
	P [kW]	--	17,85	15,26	12,28	9,12	6,00	--	--
	I [A]	--	30,0	26,0	21,6	17,40	14,01	--	--
	Qc [W]	--	60719	44371	31000	20172	11561	--	--
	COP [-]	--	2,40	1,91	1,53	1,21	0,93	--	--
	COP* [-]	--	2,40	1,91	1,53	1,21	0,93	--	--
	m [kg/h]	--	1428	943	594	346	172,4	--	--
	Op.	--	Standard	Standard	Standard	Standard	Standard	--	--
	th [°C]	--	85,1	98,7	114,4	133,5	0	--	--

-- No calculation possible (see message in single point selection)

*According to EN12900 (20°C suction gas temp., 0K liquid subcooling)

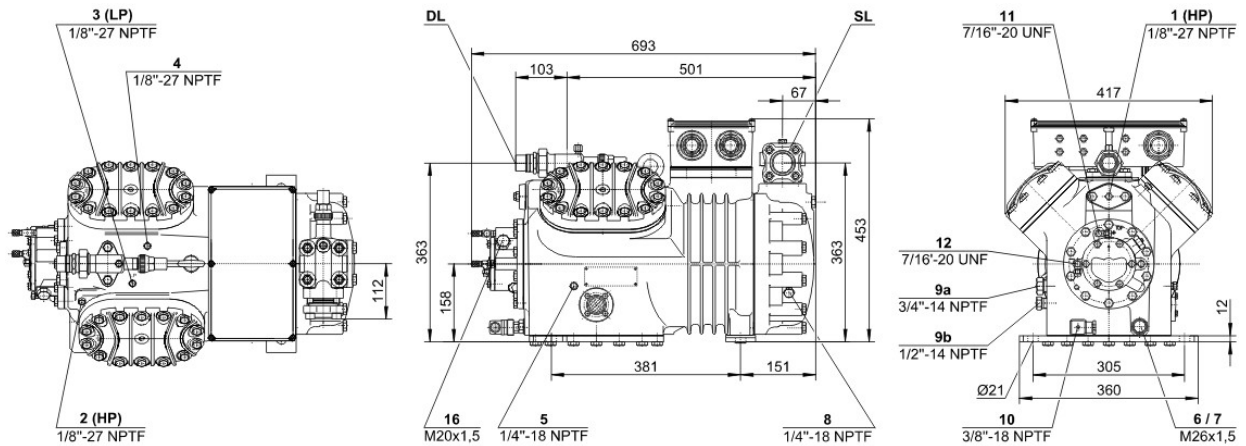
Application Limits 100%





Technical Data: (4J-22.2Y)

Dimensions and Connections



Technical Data

Technical Data

Displacement (1450 RPM 50Hz)	63,5 m³/h
Displacement (1750 RPM 60Hz)	76,64 m³/h
No. of cylinder x bore x stroke	4 x 65 mm x 55 mm
Weight	190 kg
Max. pressure (LP/HP)	19 / 28 bar
Connection suction line	42 mm - 1 5/8"
Connection discharge line	28 mm - 1 1/8"
Connection cooling water	R 3/4"
Oil type R134a/R407C/R404A/R507A/R407A/R407F	tc<55°C: BSE32 / tc>55°C: BSE55 (Option)
Oil type R22 (R12/R502)	B5.2 (Standard)
Oil type R290/R1270	SHC226E (Standard)

Motor data

Motor voltage (more on request)	380-420V PW-3-50Hz
Max operating current	39.0 A
Winding ratio	50/50
Starting current (Rotor locked)	97.0 A Y / 158.0 A YY
Max. Power input	21,5 kW

Extent of delivery (Standard)

Motor protection	SE-B2
Enclosure class	IP54 (Standard), IP66 (Option)
Vibration dampers	Standard
Oil charge	4,00 dm³

Available Options

Discharge gas temperature sensor	Option
Start unloading	Option
Capacity control	100-50% (Option)
Additional fan	Option
Water-cooled cylinder heads	Option
Oil service valve	Option
Crankcase heater	140 W (Option)
Oil pressure monitoring	MP54 (Option), Delta-PII (Option, not for R290/R1270)

Sound measurement

Sound power level (+5°C / 50°C)	75,0 dB(A) @ 50Hz
Sound power level (-10°C / 45°C)	77,5 dB(A) @ 50Hz
Sound power level (-35°C / 40°C)	(81,0) dB(A) @ 50Hz
Sound pressure level @ 1m (+5°C / 50°C)	67,0 dB(A) @ 50Hz
Sound pressure level @ 1m (-10°C / 45°C)	69,5 dB(A) @ 50Hz
Sound pressure level @ 1m (-35°C / 40°C)	(73,0) dB(A) @ 50Hz